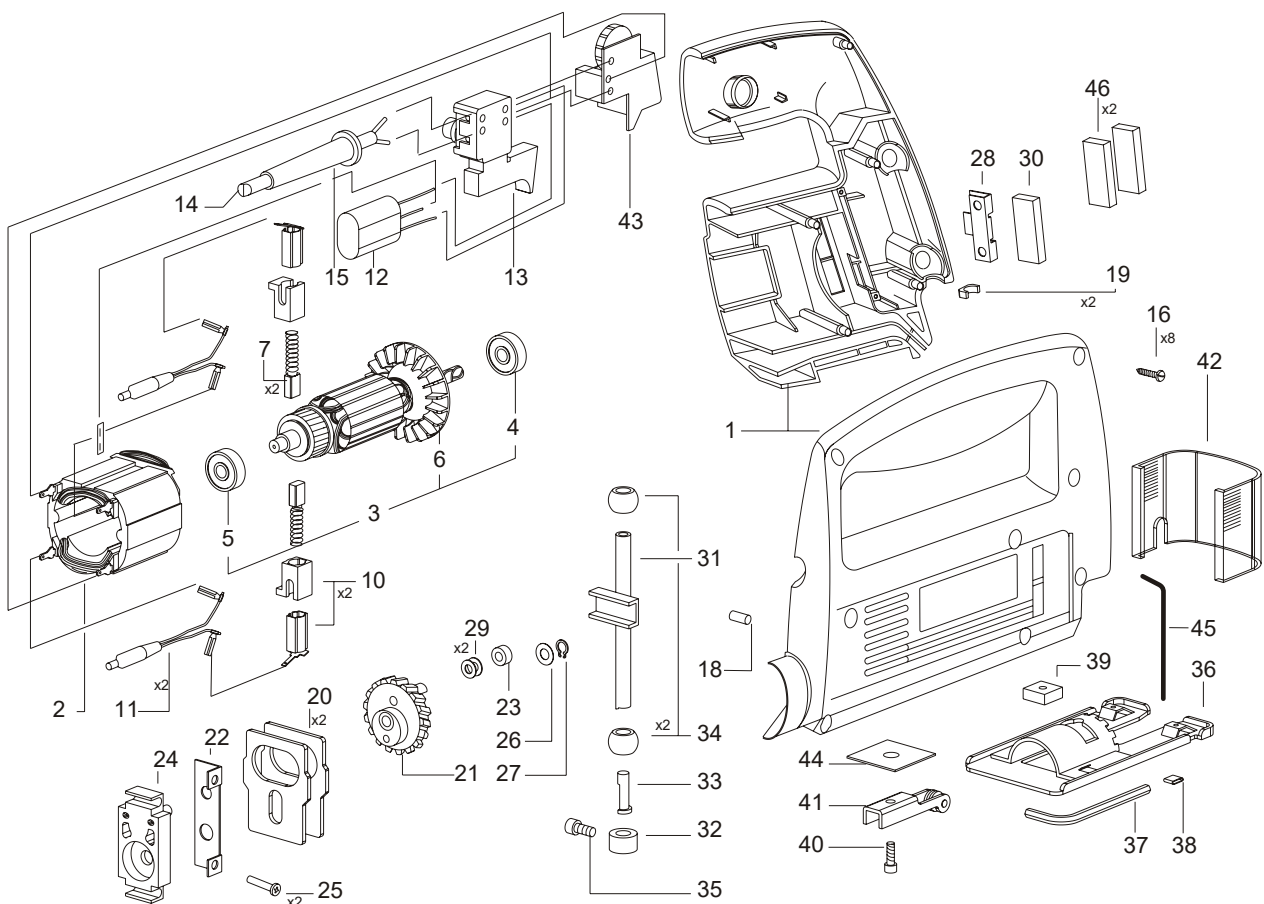


POS. No.	Ref.No.	Description	POS. No.	Ref.No.	Description
1	121291	Casing set	25	361407	Screw K5X30 TORX 20
2	119669	Stator set	26	116510	Spacer washer
3	127342	Armature set	27	330219	Circlip 6X0,7
4	330308	Bearing 6082ZP63LDS18	28	117595	Plate
5	330287	Bearing 627-2ZP6LDS18	29	115871	Spacer washer
6	126243	Fan	30	117977	Gasket
7	154138	Brush with a switch	31	120914	Piston
7	154137	Brush	32	116695	Locking bush
10	126918	Brush holder set	33	119975	Insert
11	116547	Choke	34	116709	Bearing
12	152856	Capacitor	35	300699	Screw
13	173403	Switch Defond SR26	36	117056	Base plate
14	116549	Cord with a plug	37	606738	Spanner 4
14	120326	Cord with a plug	38	354019	PVC pipe
15	206687	Cord protector	39	116698	Nut
16	361328	Screw K4x18 TORX 20	40	360408	Screw M5X10/8.8
18	272960	Claming pin	41	116699	Support roller
19	116697	Gasket	42	116701	Screen
20	116689	Counterweight plates	43	170541	Electronic block
21	116690	Gear set	44	123897	Insulation
22	117714	Panel	45	152207	Pin from 01.05.2001
23	116710	Bearing	46	152234	Gasket from 01.05.2001
24	116685	Bearing shield			



125970

174260